



# eTray

Wireless or Wired

minibar solutions



## eTray

Available wireless or wired-to-minibar

Single Tier eTray with Brown Faux-Leather Surround



Double Tier eTray with Black Faux-Leather Shoulders



Double Tier Flat Style eTray with Wood Surround



Triple Tier Stadium-Style eTray with White Wood Surround



### Product



1 to 8 products per row  
Adjustable width from 8 in to 18 in - 210 mm to 460 mm

### Decorative Surround



Wood or Faux-Leather

### Dimensions

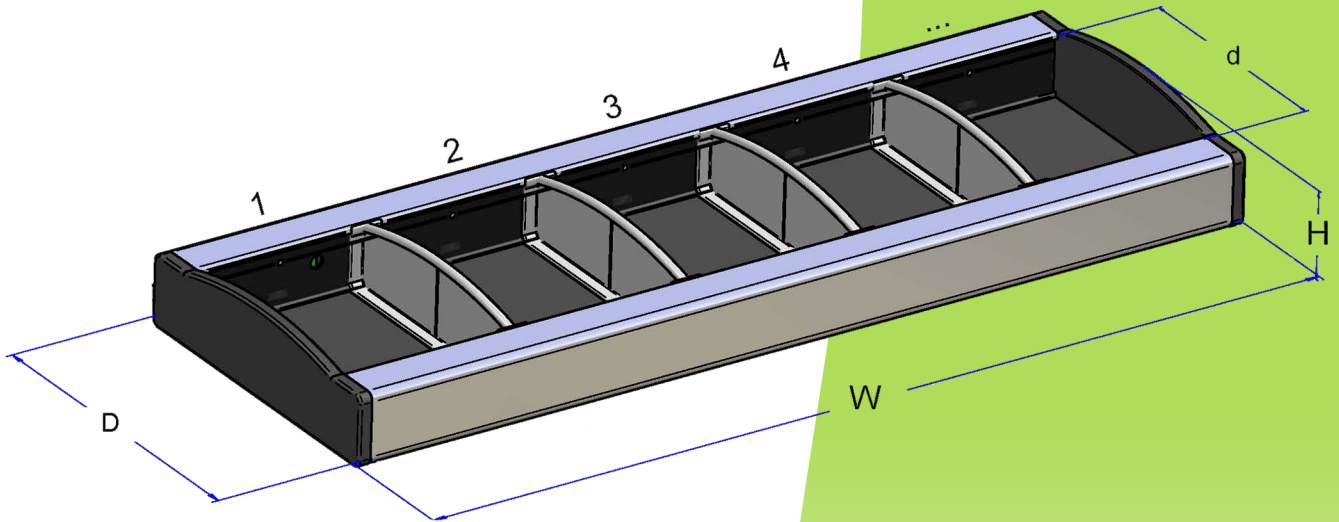


3 Sensors: 8.27 in - 210 mm  
4 Sensors: 10.80 in - 274 mm  
5 Sensors: 14.18 in - 360 mm  
6 Sensors: 16.10 in - 409 mm  
8 Sensors: 18.11 in - 460 mm

### Optional



Combine multiple eTrays into tiers, flat or stadium styles;  
Place in drawers or on countertops



Number of Sensors	Width (W)	Other Dimensions
3	8.27in - 210mm	Total Height (H): 1.4in - 36mm
4	10.8in - 274mm	Total Depth (d): 4.97in - 126mm
5	14.18in - 360mm	Useable Depth (d): 3.53in - 90mm
6	16.10in - 409mm	
8	18.11in - 460mm	

### Technical Specifications

<b>Server OS</b>	2012 R2 and Up	<b>Database Engine</b>	SQL Server 2012 and Up
<b>Software</b>	Web-Based Windows	<b>Sensors</b>	Infrared
<b>Interface Types</b>	TCP IP/RS 232 Available for all PMS	<b>Voltage</b>	110-240 VAC / 50-60 HZ
<b>Data Communication</b>	ZigBee (Wireless) Wi-Fi (Wireless) Wired to Minibar (for data/power)		